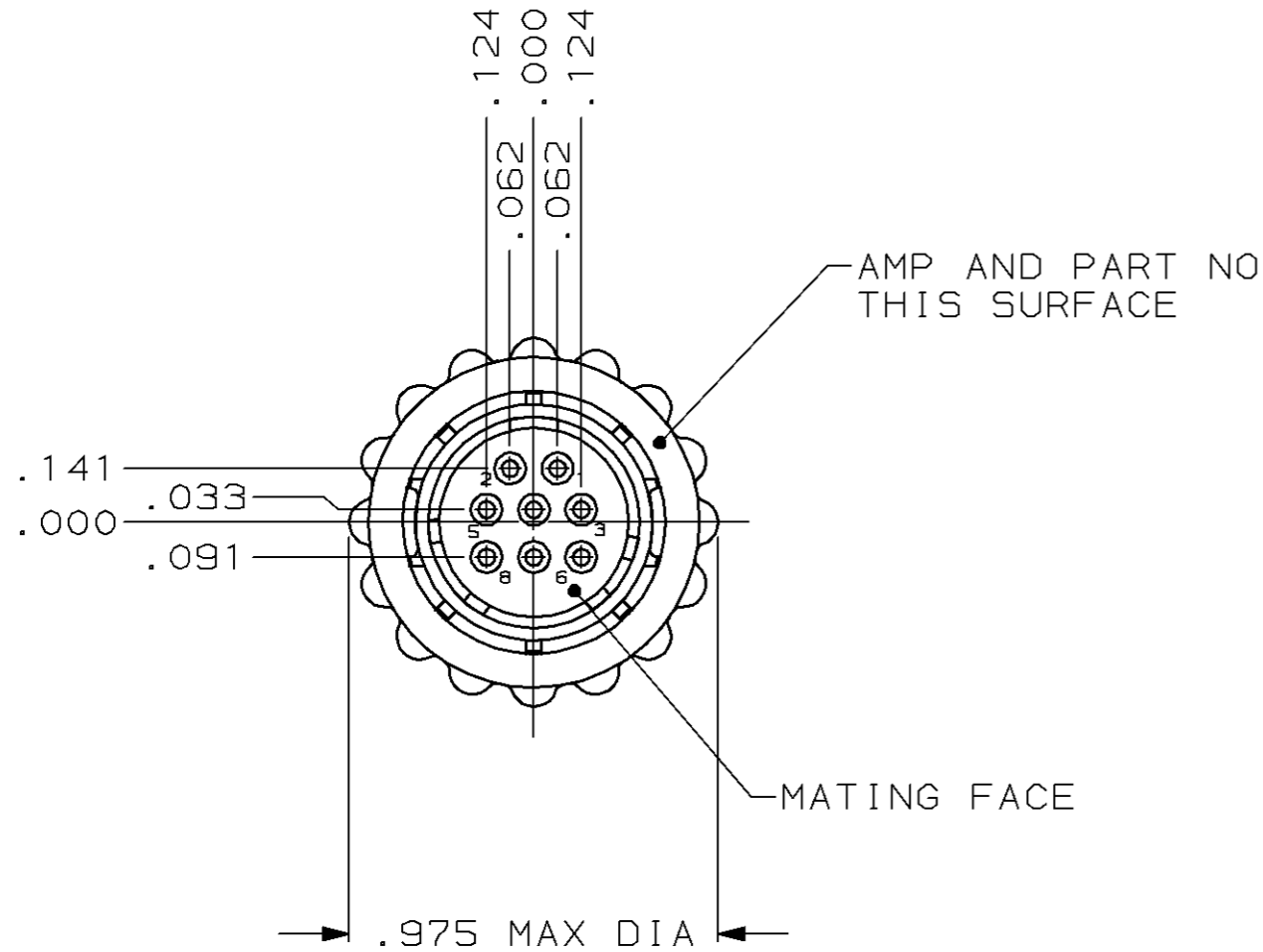
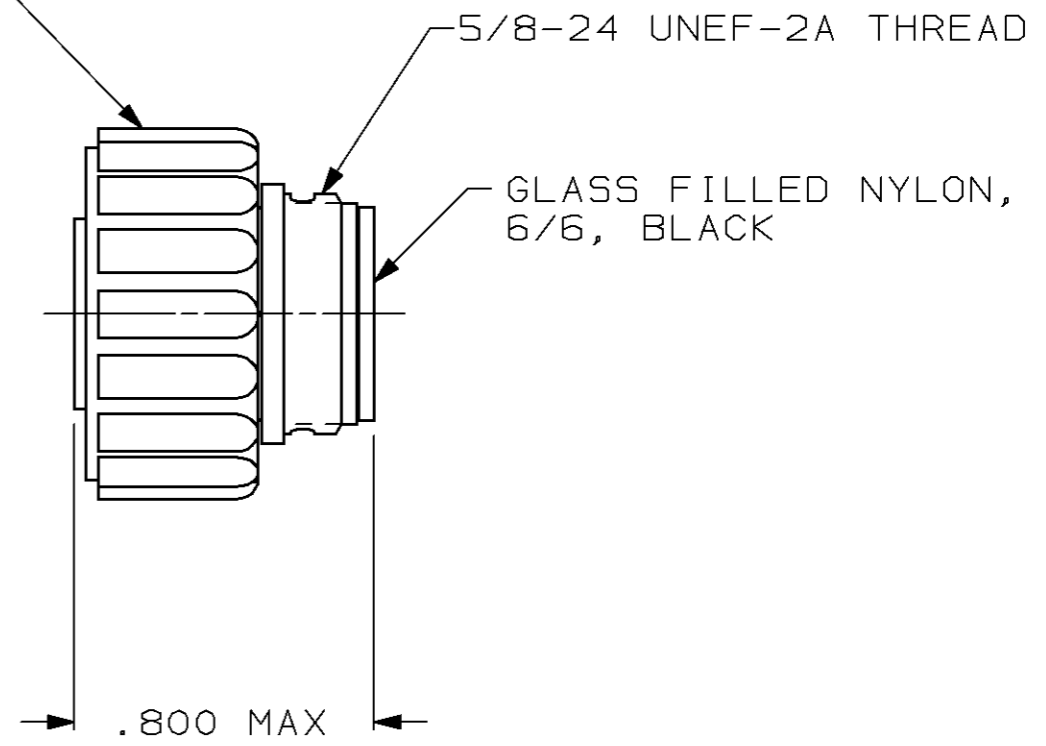


THIS DRAWING IS UNPUBLISHED. RELEASED FOR PUBLICATION, 19 .
 © COPYRIGHT 19 BY AMP INCORPORATED. ALL INTERNATIONAL RIGHTS RESERVED.

LOC	DIST	P	F	REVISIONS				
				ZONE	LTR	DESCRIPTION	DATE	APPD
FT	4				E	REDRAWN	4/3/91	KB
					E1	ADDED -2 NPR 4832	07/06/93	AF
					F	REV PER EC 0020-568-95	13 JUL 95	AF
					G	REV PER EC 0320-244-97	07 OCT 97	KD



POLYESTER, BLACK



- CONTACT CAVITIES IDENTIFIED BY CHARACTERS ON FRONT AND REAR FACES OF CONNECTOR.
- WILL ACCEPT EIGHT SIZE 20 SOCKET CONTACTS.

SMALL PACK	205838-2
STANDARD	205838-1
PACKAGING	PART NUMBER

DO NOT SCALE PRINT, UNLESS SPECIFIED DIMENSIONS IN INCHES TOLERANCES ON: 2 PLC DEC ± - 3 PLC DEC ± .005 ANGLES ± -	DR 4/3/91 A.STAUB BG	AMP Incorporated Harrisburg, PA 17105-3608
	CHK 7-23-92 W.G.LENKER	
	APPD 7-23-92 K.BEAVER	
	APPD 7-23-92 C.ROHDE	
MATERIAL SEE CALLOUTS	PRODUCT SPEC 108-10024	NAME PLUG ASSEMBLY, STD SEX, SERIES 2, 11-8, CPC
FINISH -	APPLICATION SPEC -	SIZE B CAGE CODE 00779 DRAWING NO 205838
	WEIGHT -	SCALE 2:1 SHEET 1 OF 1